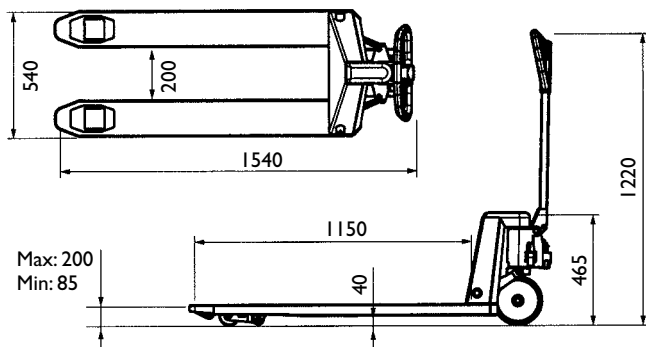
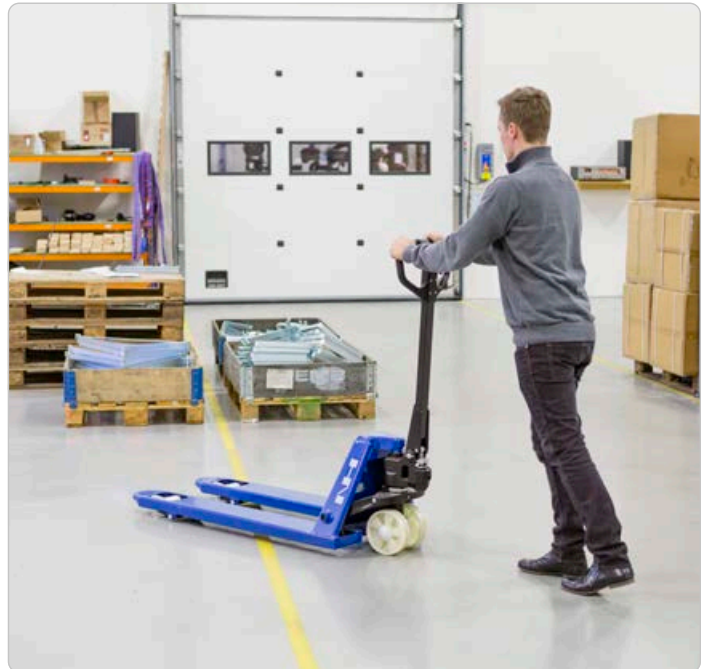


PALLET TRUCKS



Professional quality and highly manoeuvrable with Quick-Lift

- Designed for tough, intensive and professional uses
- Ergonomic and user-friendly handle
- Highly manoeuvrable with a 210° steering arc
- Front roller and rear fork wheels for easier access to and from the long side of the pallet.
- Single or bogey fork wheels in nylon or polyurethane
- Nylon wheels provide smooth and easy transport
- Polyurethane wheels are noiseless and offers maximum surface protection



Quick-lift pump



Brake

Product no. 8524800



PL2500BNQ



PL2500EPQ



PL2500BPQ



PLM2500EPQ

Model		PLM2500ENQ	PLM2500BNQ	PLM2500EPQ	PLM2500BPQ
Lifting capacity	kg	2500	2500	2500	2500
Fork length	mm	1150	1150	1150	1150
Fork width	mm	540	540	540	540
Steering arc		210°	210°	210°	210°
Wheel type		Nylon	Nylon	Polyurethane	Polyurethane
Wheel suspension		Single	Bogey	Single	Bogey
Weight	kg	70	70	70	70
Product no.		7930156	7930456	7930656	7930556