



Ersatzteilbuch / Spare parts book



ATH-Frame Lift

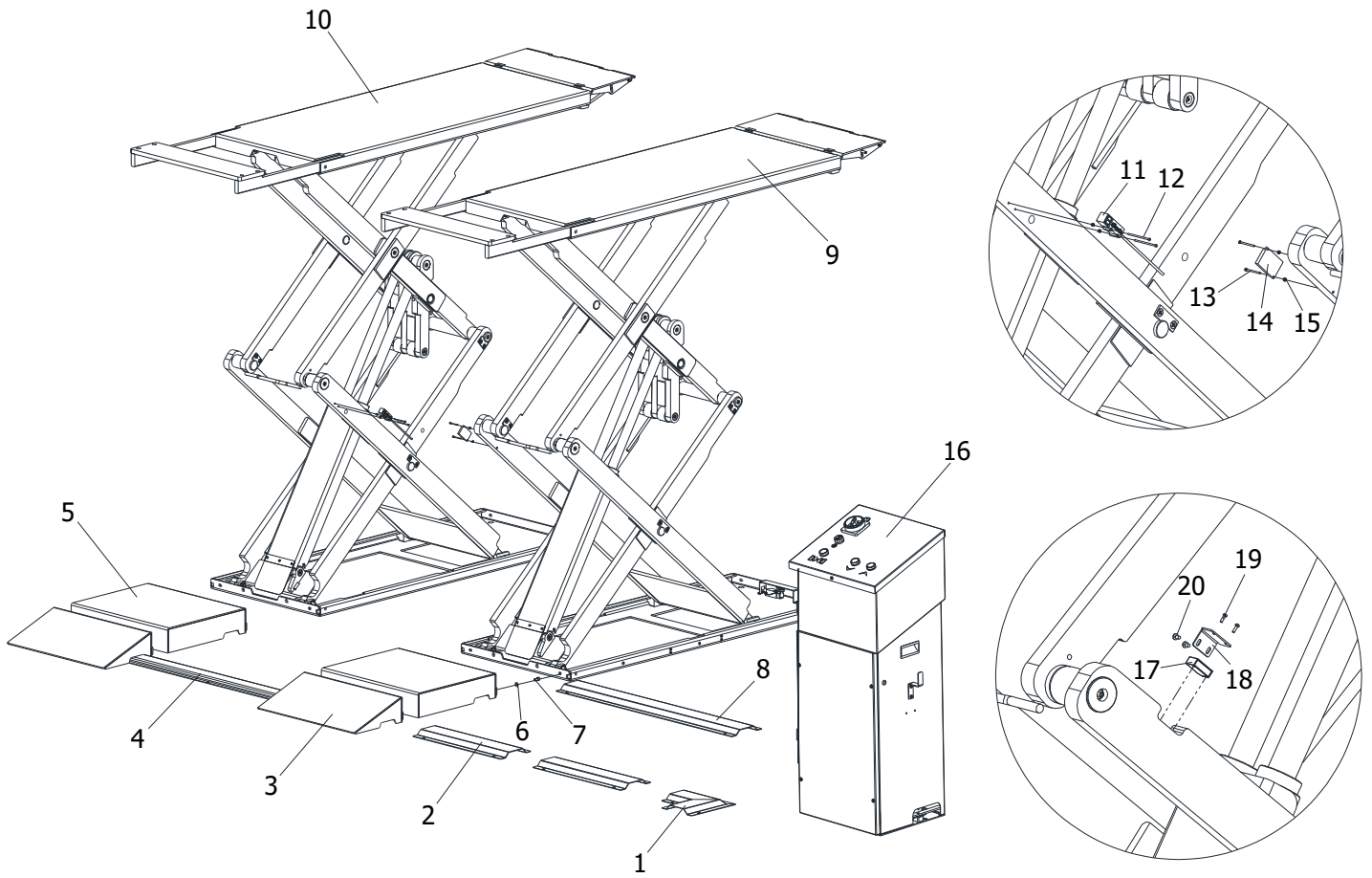
35FZ

Seriennummer/Serial number: C082061205677

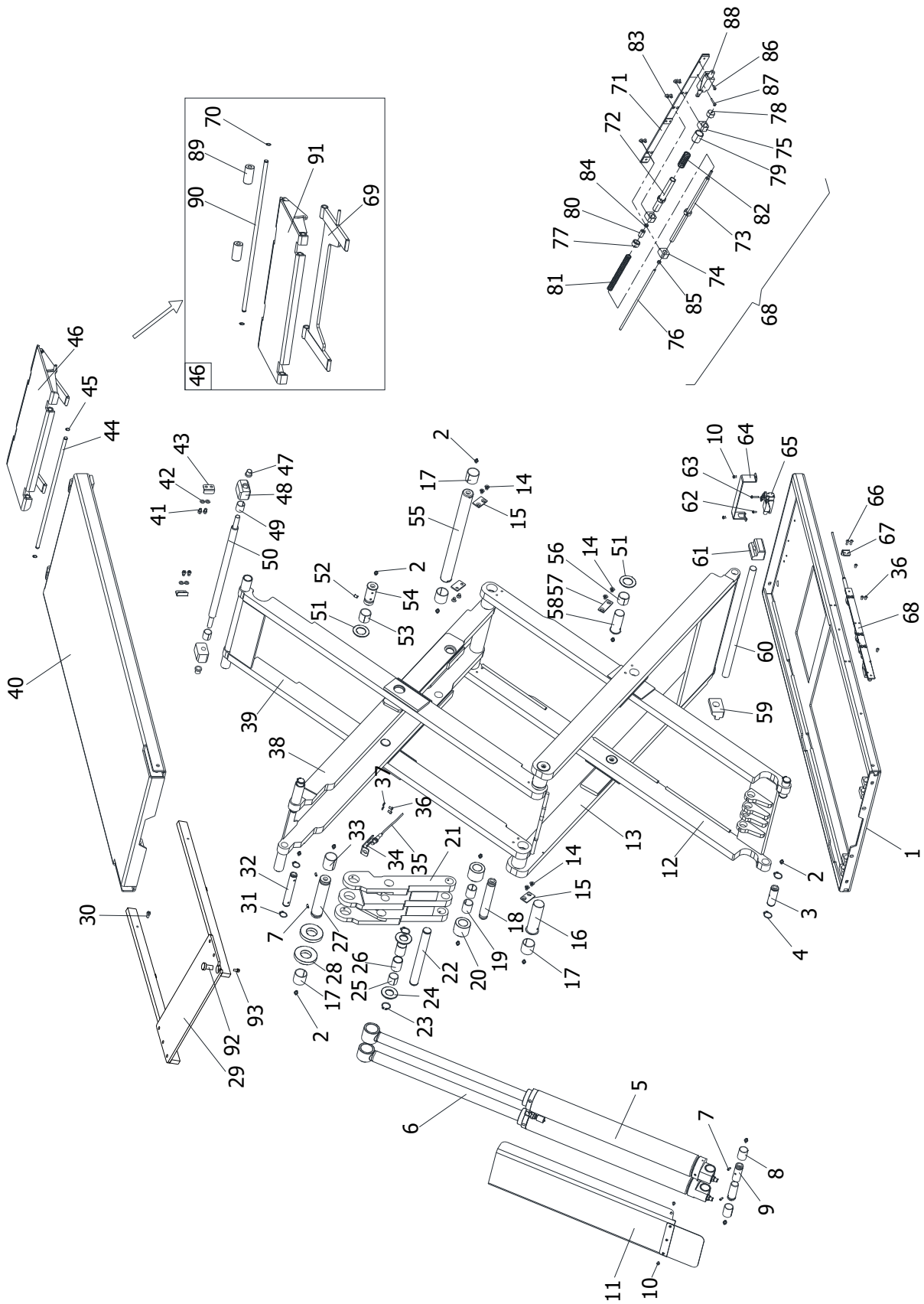


ATH-Heinl GmbH & Co. KG | Gewerbepark 9
D-92278 Illschwang | Germany | www.ath-heinl.de
Stand: Januar 2022. Fehler und Irrtümer vorbehalten. Verkauf nur über ATH-Vertriebspartner.





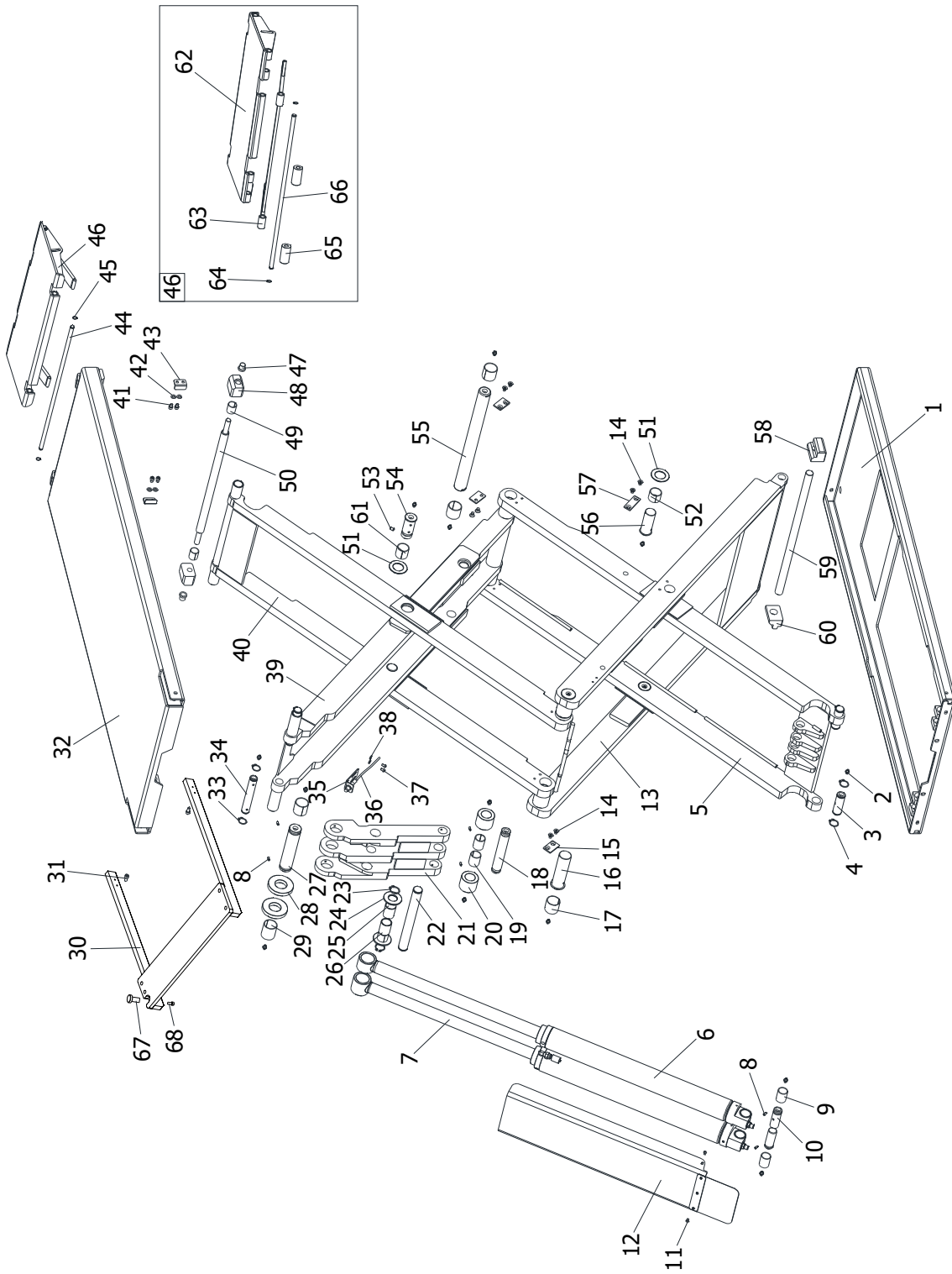
| ITEM | ATH PART NO | Art. Beschreibung | Art. Description | QTY |
|--------|-------------|---|------------------------|-----|
| 01-001 | HAB2416 | Abdeckblech Eckstück | Cover | 1 |
| 01-002 | HAB2417 | Abdeckblech Control Unit - Hebebühne | Cover | 2 |
| 01-003 | HAR2418 | Auffahrrampe | Drive on ramp | 2 |
| 01-004 | HAB2414 | Abdeckblech zw. Auffahrrampen | Middle cover | 1 |
| 01-005 | X | Abdeckung | Cover | 2 |
| 01-006 | X | Beilagscheibe D.8 | Washer D.8 - GB/T97.1 | 4 |
| 01-007 | X | Schraube M8x16 | Screw M8X16 - GB/T70.1 | 4 |
| 01-008 | HAB2419 | Abdeckblech lang Control Unit - Hebebühne | Cover | 1 |
| 01-009 | X | Plattform P1 | Runway P1 | 1 |
| 01-010 | X | Plattform P2 | Runway P2 | 1 |
| 01-011 | HLS8433 | Lichtschanke (Alt) | Photocell (old) | 1 |
| 01-012 | X | Schraube M3x60 | Screw M3X60 | 2 |
| 01-013 | X | Schraube M3x40 | Screw M3X40 | 2 |
| 01-014 | HLS8432 | Reflektor | Photocell reflector | 1 |
| 01-015 | X | Mutter M3 | Nut M3 | 4 |
| 01-016 | HHA2357 | Steuereinheit kpl. | Control unit | 1 |
| 01-017 | HLS8432 | Lichtschanke mit Reflektor | Ormon photocell | 1 |
| 01-018 | HHL8435 | Halterung für Lichtschanke | Bracket | 1 |
| 01-019 | X | Schraube M3x10 | Screw M3X10 | 2 |
| 01-020 | X | Schraube M4x8 | Screw M4X8 | 2 |



| ITEM | ATH PART NO | Art. Beschreibung | Art. Description | QTY |
|--------|-------------|---------------------------------------|---------------------------|-----|
| 02-001 | HGR2100 | Grundrahmen P1 | Base P1 | 1 |
| 02-002 | HSN3218 | Schmiernippel | Greaser 8X1 | 18 |
| 02-003 | HUB2101 | Unterer Bolzen | Lower shaft | 2 |
| 02-004 | X | Seegerring D.28 | Seeger D.28 | 4 |
| 02-005 | HHZ6132 | Hauptzylinder P1 | Master hydraulic cylinder | 1 |
| 02-006 | HHZ6133 | Folgezylinder P1 | Slave hydraulic cylinder | 1 |
| 02-007 | X | Schraube M6x10 | Screw M6X10 | 6 |
| 02-008 | HLB2840 | Lagerbuchse 2840 | Bush SF-1/2840 | 2 |
| 02-009 | HBZ2101 | Bolzen für Zylinder unten | Cylinder lower shaft | 2 |
| 02-010 | X | Schraube M5x8 | Screw M5X8 | 4 |
| 02-011 | HAZ2102 | Zylinder Schutz | Cylinder protection | 1 |
| 02-012 | HST2103 | unteres-inneres Scherenteil | Inferior inner scissor | 1 |
| 02-013 | HST2104 | unteres-äußeres Scherenteil | Inferior outer scissor | 1 |
| 02-014 | x | Schraube M8x12 | Screw M8X12 | 12 |
| 02-015 | HVS2105 | Verdrehsicherung | Fastening plate | 4 |
| 02-016 | HBS2106 | Bolzen | Shaft | 2 |
| 02-017 | HLB2404 | Lagerbuchse 4040 | Bush SF-1/4040 | 7 |
| 02-018 | HBS2107 | Bolzen unten | Lever lower shaft | 1 |
| 02-019 | HLB3040 | Lagerbuchse 3040 | Bush SF-1/3040 | 2 |
| 02-020 | HRK3515 | Rolle für Kipphebel | Lever lower wheel | 2 |
| 02-021 | HKH2111 | Kipphebel | Lifting lever | 1 |
| 02-022 | HBS2108 | Bolzen scherenteil mitte | Lever middle shaft | 1 |
| 02-023 | HSR2312.20 | Seegerring D.30 | Seeger D.30 | 2 |
| 02-024 | HAS3111 | Abstandscheibe | Spacer | 2 |
| 02-025 | HLB3030 | Lagerbuchse 3030 | Bush SF-1/3030 | 2 |
| 02-026 | HDS3112 | Distanzstück | Spacer | 2 |
| 02-027 | HOB2019 | Oberer Bolzen Kipphebel | Lever upper shaft | 1 |
| 02-028 | HDS3113 | Distanzstück | Spacer | 2 |
| 02-029 | HAZ2201.01 | Auszug | Pull plate | 1 |
| 02-030 | X | Schraube M8x16 | Screw M8X16 - GB/T70.1 | 2 |
| 02-031 | HSR2310 | Seegerring D.25 | Seeger D.25 | 4 |
| 02-032 | HOB2020 | Oberer Bolzen | Upper shaft | 2 |
| 02-033 | HLB4050 | Lagerbuchse | Bush SF-1/4050 | 1 |
| 02-034 | HHL2437 | Halterung für Endschalter/CE-Schalter | Support | 1 |
| 02-035 | HES6414 | Endschalter/CE-Schalter | Proximity switch | 1 |
| 02-036 | X | Schraube M6x10 | Screw M6X10 - GB/T70.2 | 6 |
| 02-037 | HBS8712 | Beilagscheibe D.6 | Washer D.6 - GB/T97.1 | 2 |
| 02-038 | HST2252 | Oberes - inneres Scherenteil | Superior inner scissor | 1 |
| 02-039 | HST2254 | Oberes - äußers Scherenteil | Superior outer scissor | 1 |
| 02-040 | HTP2531 | Plattform P1/P2 | Table P1/P2 | 1 |

| | | | | |
|--------|------------|--|---------------------------|---|
| 02-041 | X | Schraube M8x10 | Screw M8X10 - GB/T70.1 | 4 |
| 02-042 | X | Beilagscheibe D.8 | Washer D.8 - GB/T97.1 | 4 |
| 02-043 | X | Halterung | Support | 2 |
| 02-044 | HBR2333 | Bolzen für Auffahrrampe | Shaft | 1 |
| 02-045 | HSR2039.20 | Seegerring D.12 | Seeger D.12 | 2 |
| 02-046 | HAR0001 | Auffahrrampe P1 kpl. | Ramp | 1 |
| 02-047 | HOW2334 | Obere Wellenbuchse | Upper shaft bush | 2 |
| 02-048 | HGS3154 | Gleitstück oben | Upper slider | 2 |
| 02-049 | HLB2530.20 | Lagerbuchse SF-1/2530 ATH-Flex Lift (30) | Bush SF-1/2530 | 2 |
| 02-050 | HOB2335 | Oberer Bolzen | Upper shaft | 1 |
| 02-051 | HAS3112 | Abstandsscheibe | Spacer | 4 |
| 02-052 | X | Schraube M8x12 | Screw M8X12 | 2 |
| 02-053 | HMB3035.10 | Lagerbuchse 3035 | Bush 3035 | 2 |
| 02-054 | HBS3520 | Bolzen Scherenteil Mitte | Middle shaft | 2 |
| 02-055 | HBS3522 | Bolzen Kipphebel Mitte | Middle shaft | 1 |
| 02-056 | HLB3530 | Lagerbuchse SF-1/3530 | Bush SF-1/3530 | 2 |
| 02-057 | HVS2106 | Verdrehsicherung | Fastening plate | 2 |
| 02-058 | HSW3218 | Mittlerer Bolzen | Middle shaft | 2 |
| 02-059 | HGS3155 | Gleitstück unten 1 | Lower slider 1 | 1 |
| 02-060 | HBS3424 | Unterer Bolzen | Lower shaft | 1 |
| 02-061 | HGS3156 | Gleitstück unten 2 | Lower slider 2 | 1 |
| 02-062 | X | Schraube M4x12 | Screw M4X12 | 1 |
| 02-063 | X | Schraube M4x25 | Screw M4X25 | 1 |
| 02-064 | HSB3133 | Schutzbügel für CE Schalter | Support | 1 |
| 02-065 | HES8108 | Endschalter | Limit switch 8108 | 1 |
| 02-066 | X | Schraube M6x16 | Screw M6X16 - GB/T70.2 | 2 |
| 02-067 | HHE2334 | Halter für Endschalter | Support | 1 |
| 02-068 | HEZ2335 | Endschalter Kpl. (Zusammenbau) | Switch actuating assembly | 1 |
| 02-069 | HAA2038 | Arretierungsplatte Auffahrrampe | Ramp locking plate | 1 |
| 02-070 | HSR2039.20 | Seegerring D.12 | Seeger D.12 | 2 |
| 02-071 | X | Halterung | Support | 1 |
| 02-072 | X | Lagerbuchse | Bush | 1 |
| 02-073 | X | Bolzen | Shaft | 1 |
| 02-074 | X | Vordere Halterung | Front support | 1 |
| 02-075 | X | Hintere Halterung | Back support | 2 |
| 02-076 | X | Stift | Bar | 1 |
| 02-077 | X | Mutternflansch | Nut flange | 1 |
| 02-078 | X | Abdeckung | Cover | 1 |
| 02-079 | X | Buchse | Bush | 1 |
| 02-080 | X | Buchse | Bush | 1 |
| 02-081 | X | Feder | Spring | 1 |

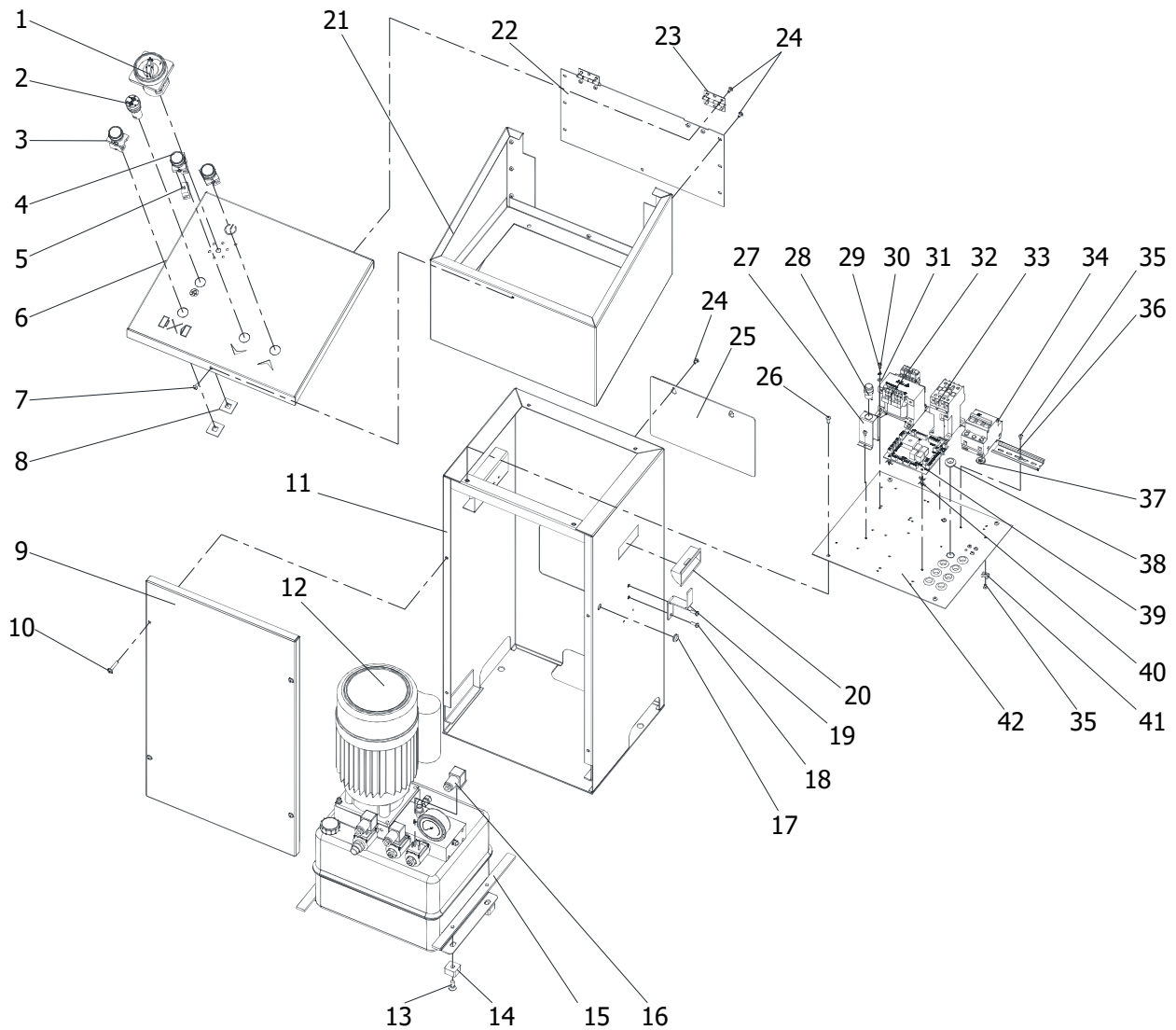
| | | | | |
|---------|------------|-----------------------------|---------------------------|---|
| 02 -082 | X | Feder | Spring | 1 |
| 02 -083 | X | Schraube M6x8 | Screw M6X8 | 6 |
| 02 -084 | X | Mutter M6 | Nut M6 - GB/T889.1 | 1 |
| 02 -085 | HSM0615 | Mutter M6 | Nut M6 | 1 |
| 02 -086 | X | Schraube M4x12 | Screw M4X12 | 1 |
| 02 -087 | X | Schraube M4x25 | Screw M4X25 | 1 |
| 02 -088 | HES7112 | Endschalter 8112 | Limit switch 8112 | 1 |
| 02 -089 | HRA8428 | Roller Auffahrrampe | Ramp roller | 2 |
| 02 -090 | HBR2333 | Bolzen für Auffahrrampe | Shaft | 1 |
| 02 -091 | HAR0002 | Auffahrrampe P1 | Ramp | 1 |
| 02-092 | HSM8538.01 | Sicherungsmutter für Auszug | Locking nut for extension | 1 |
| 02-093 | X | Schraube M6x10 | Screw M6x10 | 1 |



| ITEM | ATH PART NO | Art. Beschreibung | Art. Description | QTY |
|--------|-------------|---------------------------------------|---------------------------|-----|
| 03-001 | HGR2101 | Grundrahmen P2 | Base P2 | 1 |
| 03-002 | HSN3218 | Schmiernippel | Greaser 8X1 | 18 |
| 03-003 | HUB2101 | Unterer Bolzen | Lower shaft | 2 |
| 03-004 | X | Seegerring | Seeger D.28 | 4 |
| 03-005 | HST2105 | unteres-inneres Scherenteil | Inferior inner scissor | 1 |
| 03-006 | HHZ6136 | Folgezylinder P2 | Slave hydraulic cylinder | 1 |
| 03-007 | HHZ6134 | Hauptzylinder P2 | Master hydraulic cylinder | 1 |
| 03-008 | X | Schraube M6x10 | Screw M6X10 | 6 |
| 03-009 | HMB2840 | Lagerbuchse SF-1/2840 | Bush SF-1/2840 | 2 |
| 03-010 | HBZ2101 | Bolzen für Zylinder unten | Cylinder lower shaft | 2 |
| 03-011 | X | Schraube M5x8 | Screw M5X8 | 2 |
| 03-012 | HAZ2102 | Zylinder Schutz | Cylinder protection | 1 |
| 03-013 | HST2106 | unteres-äußeres Scherenteil | Inferior outer scissor | 1 |
| 03-014 | X | Schraube M8X12 | Screw M8X12 | 12 |
| 03-015 | HVS2105 | Verdrehsicherung | Fastening plate | 4 |
| 03-016 | HBS2106 | Bolzen | Shaft | 2 |
| 03-017 | HLB2404 | Lagerbuchse 4040 | Bush SF-1/4040 | 7 |
| 03-018 | HBS2107 | Bolzen unten | Lever lower shaft | 1 |
| 03-019 | HLB3040 | Lagerbuchse 3040 | Bush SF-1/3040 | 2 |
| 03-020 | HRK3515 | Rolle für Kipphebel | Lever lower wheel | |
| 03-021 | HKH2113 | Kipphebel | Lifting lever | 1 |
| 03-022 | HBS2108 | Bolzen Scherenteil mitte | Lever middle shaft | 1 |
| 03-023 | HSR2312 | Seegerring D.30 | Seeger D.30 | 2 |
| 03-024 | HAS3111 | Abstandsscheibe | Spacer | 2 |
| 03-025 | HLB3030 | Lagerbuchse 3030 | Bush SF-1/3030 | 2 |
| 03-026 | HDS3112 | Distanzstück | Spacer | 2 |
| 03-027 | HOB2019 | Oberer Bolzen Kipphebel | Lever upper shaft | 1 |
| 03-028 | HDS3113 | Distanzstück | Spacer | 2 |
| 03-029 | HLB4050 | Lagerbuchse | Bush SF-1/4050 | 1 |
| 03-030 | HAZ2201.02 | Auszug | Pull plate | 1 |
| 03-031 | X | Schraube M8x16 | Screw M8X16 - GB/T70.1 | 2 |
| 03-032 | HTP2531 | Plattform P1/P2 | Table P1/P2 | 1 |
| 03-033 | HSR2310 | Seegerring D.25 | Seeger D.25 | 4 |
| 03-034 | HOB2020 | Oberer Bolzen | Upper shaft | 2 |
| 03-035 | HHL2437 | Halterung für Endschalter/CE-Schalter | Support | 1 |
| 03-036 | HES6414 | Endschalter/CE-Schalter | Proximity switch | 1 |
| 03-037 | X | Schraube M8x10 | Screw M6X10 - GB/T70.2 | 2 |
| 03-038 | HBS8712 | Beilagscheibe D.6 | Washer D.6 - GB/T97.1 | 2 |
| 03-039 | HST2252 | Oberes - inneres Scherenteil | Superior inner scissor | 1 |

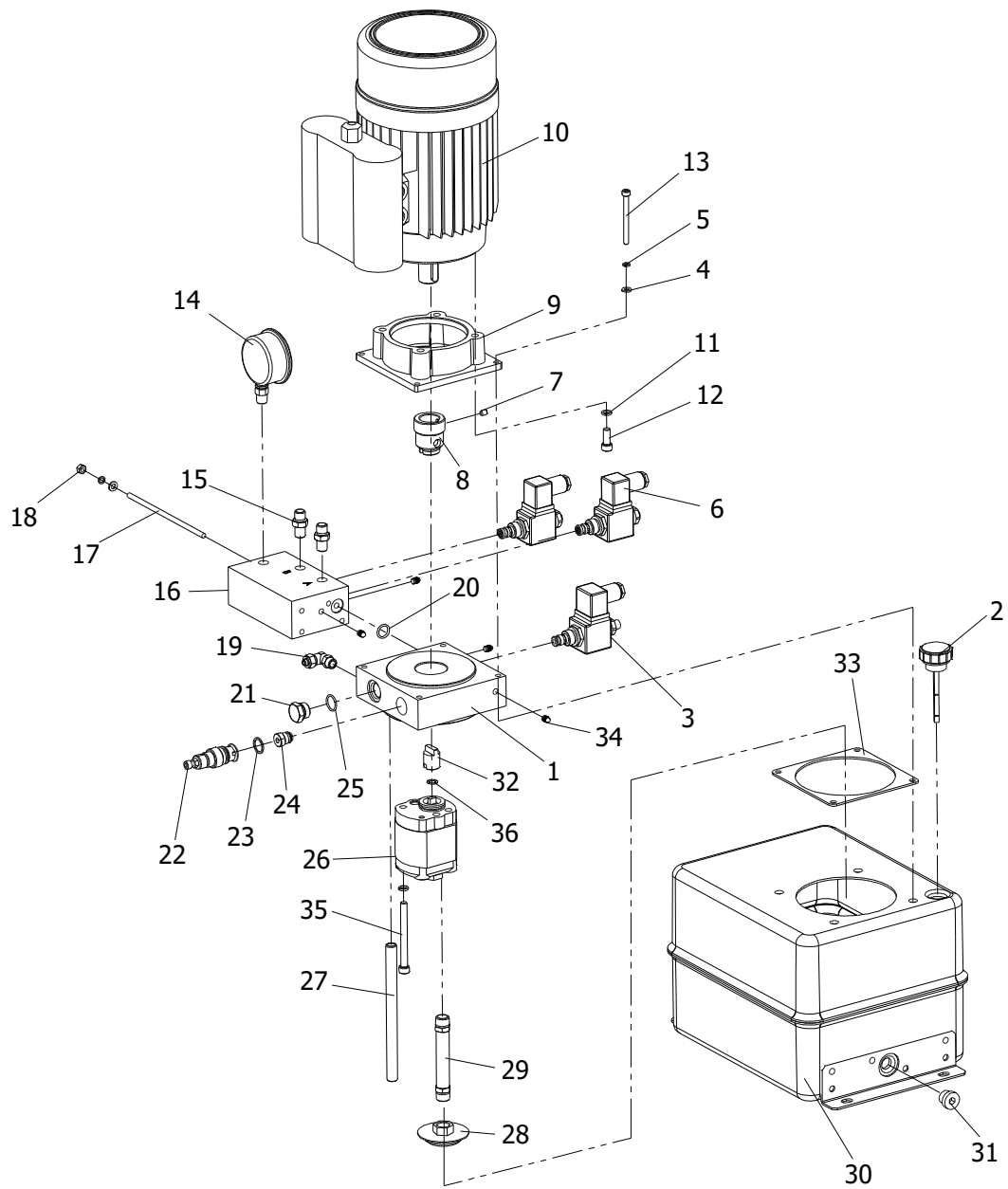
| | | | | |
|--------|------------|---------------------------------|---------------------------|---|
| 03-040 | HST2254 | Oberes - äußers Scherenteil | Superior outer scissor | 1 |
| 03-041 | X | Schraube M8x10 | Screw M8X10 - GB/T70.1 | 4 |
| 03-042 | X | Beilagscheibe D.8 | Washer D.8 - GB/T97.1 | 4 |
| 03-043 | X | Halterung | Support | 2 |
| 03-044 | HBR2333 | Bolzen für Auffahrrampe | Shaft | 1 |
| 03-045 | HSR2039.20 | Seegerring D.12 | Seeger D.12 | 2 |
| 03-046 | HAR0003 | Auffahrrampe P2 kpl. | Ramp P2 | 1 |
| 03-047 | HOW2334 | Obere Wellenbuchse | Upper shaft bush | 2 |
| 03-048 | HGS3154 | Gleitstück oben | Upper slider | 2 |
| 03-049 | HLB2530.20 | Lagerbuchse 2530 | Bush SF-1/2530 | 2 |
| 03-050 | HOB2335 | Oberer Bolzen | Upper shaft | 1 |
| 03-051 | HAS3112 | Abstandsscheibe | Spacer | 4 |
| 03-052 | HLB3530 | Lagerbuchse SF-1/3530 | Bush SF-1/3530 | 2 |
| 03-053 | X | Schraube M8x12 | Screw M8X12 | 2 |
| 03-054 | HBS3520 | Bolzen Scherenteil Mitte | Middle shaft | 2 |
| 03-055 | HBS3522 | Bolzen Kipphebel Mitte | Middle shaft | 1 |
| 03-056 | HSW3218 | Mittlerer Bolzen | Middle shaft | 2 |
| 03-057 | HVS2106 | Verdrehsicherung | Fastening plate | 2 |
| 03-058 | HGS3156 | Gleitstück unten 2 | Lower slider 2 | 1 |
| 03-059 | HBS3424 | Unterer Bolzen | Lower shaft | 1 |
| 03-060 | HGS3155 | Gleitstück unten 1 | Lower slider 1 | 1 |
| 03-061 | HMB3035.10 | Lagerbuchse 3035 | Bush 3035 | 2 |
| 03-062 | HAR0004 | Auffahrrampe P2 | Ramp | 1 |
| 03-063 | HAA2038 | Arretierungsplatte Auffahrrampe | Ramp locking plate | 1 |
| 03-064 | HSR2039.20 | Seegerring D.12 | Seeger D.12 | 2 |
| 03-065 | HRA8428 | Roller Auffahrrampe | Ramp roller | 2 |
| 03-066 | HBR2333 | Bolzen für Auffahrrampe | Shaft | 1 |
| 03-067 | HSM8538.01 | Sicherungsmutter für Auszug | Locking nut for extension | 1 |
| 03-068 | X | Schraube M6x10 | Screw M6x10 | 1 |

04

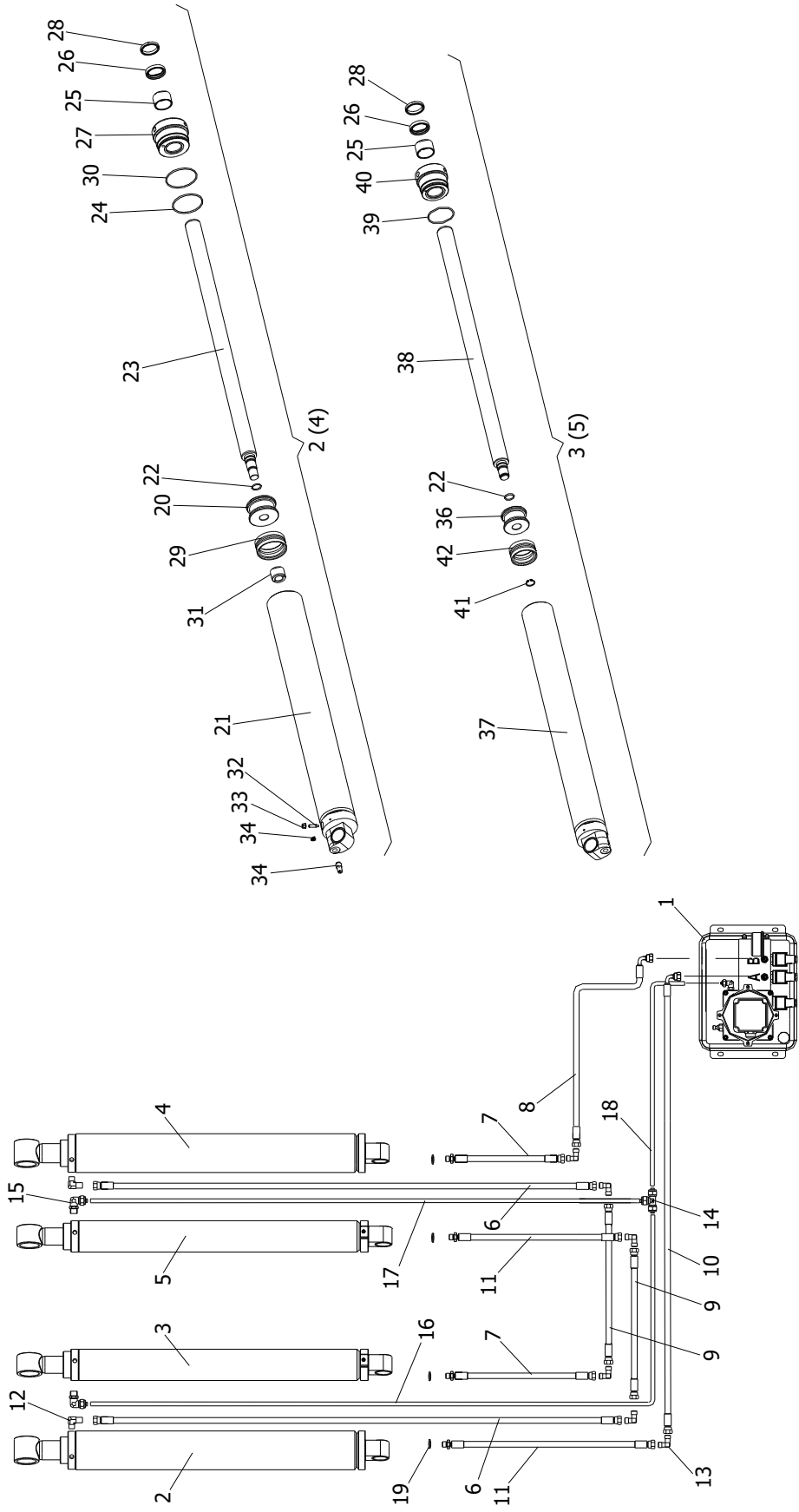


| ITEM | ATH PART NO | Art. Beschreibung | Art. Description | QTY |
|--------|-------------|-----------------------------|------------------------|-----|
| 04-001 | HHS8253 | Hauptschalter | Power switch 20A | 1 |
| 04-002 | HSG7110 | Signaltongeber | Beeper DC24V | 1 |
| 04-003 | HBT8254.02 | Taster HEBEN/SENKEN | Pushbutton | 1 |
| 04-004 | HBT8254.02 | Taster HEBEN/SENKEN | Pushbutton LAY37T-10 | 2 |
| 04-005 | HKE7026 | Kontakt Öffner | Normally close contact | 1 |
| 04-006 | X | Panel | Top cover | 1 |
| 04-007 | X | Schraube M5x10 | Screw M5X10 | 1 |
| 04-008 | X | Aufkleber | Base | 2 |
| 04-009 | HAG1354 | Abdeckung vorne für Gehäuse | Front cover | 1 |
| 04-010 | X | Schraube M5x30 | Screw M5X30 | 4 |
| 04-011 | HUB1355 | Unteres Gehäuse | Lower box | 1 |
| 04-012 | HHA6260 | Hydraulikaggregat kpl. | Hydraulic power unit | 1 |

| | | | | |
|--------|------------|-------------------------|---|----|
| 04-013 | X | Schraube M8x20 | Screw M8X20 | 4 |
| 04-014 | X | Dämpfer | Pad | 4 |
| 04-015 | X | Halterung | Support | 2 |
| 04-016 | X | Standardstecker schwarz | Standard connector black | 3 |
| 04-017 | X | Zugentlastung | Cable relief GM-1710 | 1 |
| 04-018 | X | Schraube M5x14 | Screw M5X14 | 2 |
| 04-019 | X | Haken | Hook | 1 |
| 04-020 | X | Eingriff | Lifter | 2 |
| 04-021 | HOB1357 | Oberstes Gehäuse | Upper box | 1 |
| 04-022 | X | Hintere obere Abdeckung | Back cover | 1 |
| 04-023 | X | Scharnier | HIInge | 4 |
| 04-024 | X | Schraube M4x8 | Screw M4X8 | 17 |
| 04-025 | HHA1356 | Hintere Abdeckung | Cover | 1 |
| 04-026 | X | Schraube M5x12 | Screw M5X12 | 4 |
| 04-027 | X | Halterung | Support | 1 |
| 04-028 | HLT8264 | Taster Lichtschanke | Override button LA16Y-11-Y | 1 |
| 04-029 | X | Sicherungscheibe D.4 | Locking washer D.4 - GB/T93 | 4 |
| 04-030 | X | Schraube M4x8 | Screw M4X8 - GB/T818 | 6 |
| 04-031 | X | Beilagscheibe D.4 | Washer D.4 - GB/T97.1 | 6 |
| 04-032 | HST8259 | Transformator | Transformer 80VA 230/400V/19V/10VA 28V/70VA) | 1 |
| 04-033 | HMS8259 | Motorschütz | Contacteur 1210Z/DC24V | 1 |
| 04-034 | HSA0389 | Sicherungsautomat | Breaker DZ47-63/3P-D16A | 1 |
| 04-035 | X | Schraube M4x6 | Screw M4X6 - GB/T818 | 7 |
| 04-036 | X | Montageschiene L=110 | Guide L=110 | 1 |
| 04-037 | X | Aufkleber | Ground decal | 1 |
| 04-038 | X | Zugentlastung | Cable relief GM-2314 | 8 |
| 04-039 | HSP7269.30 | Steuerplatine CP-501B.1 | Control board CP-501B.1 | 1 |
| 04-040 | X | Halter | Holder HDB-16A | 4 |
| 04-041 | X | Fixierklammer | Fix base | 2 |
| 04-042 | X | Montierplatte | Support | 1 |



| ITEM | ATH PART NO | Art. Beschreibung | Art. Description | QTY |
|--------|-------------|-----------------------------|-------------------------------------|-----|
| 05-001 | HHB8302 | Hydraulikblock | Manifold | 1 |
| 05-002 | HTV8327 | Tankverschluss mit Ölfilter | Oil level plug G3/4" | 1 |
| 05-003 | HMS8317 | Senkventil | Lowering solenoid valve 24VDC | 1 |
| 05-004 | HBS8712 | Beilagscheibe D.6 | Washer D.6 - GB/T97.1 | 8 |
| 05-005 | HFR2832 | Federring D.6 | Spring washer D.6 - GB/T93 | 8 |
| 05-006 | HSM8316 | Steuerventil | Switching solenoid valve DC24V | 2 |
| 05-007 | HSG8257 | Schraube M6x8 | Screw M6X8 - GB/T80 | 1 |
| 05-008 | HMA8304 | Motoradapter | Motor joint | 1 |
| 05-009 | HMF8303 | Motorflansch | Motor flange | 1 |
| 05-010 | HHM8312 | Elektromotor | Motor 230V/400V/50HZ/3PH 2.6KW | 1 |
| 05-011 | HFR2812 | Federring D.8 | Spring washer D.8 - GB/T93 | 6 |
| 05-012 | HSS0820 | Schraube M8x20 | Screw M8X20 - GB/T70.1 | 4 |
| 05-013 | HSS0665 | Schraube M6x65 | Screw M6X65 - GB/T70.1 | 4 |
| 05-014 | HHM8314 | Manometer | Pressure gauge LA-60X400 | 1 |
| 05-015 | HHA8368 | Hydraulikanschluss | Union 1/4 1BT-04SP | 2 |
| 05-016 | HHV8312 | Hydraulikverteiler | Interface block | 1 |
| 05-017 | X | Doppelschraube M6x160 | Double-screw bolt M6X160 | 4 |
| 05-018 | HSM0615 | Mutter M6 | Nut M6 | 4 |
| 05-019 | HHA8367 | Hydraulikanschluss | Union 10 ZG1-4 | 1 |
| 05-020 | HHD8332 | O-Ring | O-ring 18X2.4 - GB1235 | 1 |
| 05-021 | HHA8308 | Blindstopfen | Plug | 1 |
| 05-022 | HDV8315 | Druckbegrenzungsventil | Pressure overload valve FYF06-01-00 | 1 |
| 05-023 | RDR1140 | Kupfer Dichtring | Copper washer 16X20 | 1 |
| 05-024 | HRV8318 | Rückschlagventil | Non return valve GDF-06-07-00 | 1 |
| 05-025 | HHD8331 | O-Ring | O-ring 17X2 | 1 |
| 05-026 | HZP8312 | Zahnradpumpe 4.8cc | Gear pump 4.8CC | 1 |
| 05-027 | HAR8308 | Rücklaufrohr | Oil return pipe | 1 |
| 05-028 | HHF8323 | Öl-Filter | Oil filter ZG3/8" ZF-08 | 1 |
| 05-029 | HAR8306 | Ansaugrohr | Oil suction pipe | 1 |
| 05-030 | HAT8309 | Öl-Tank | Oil tank | 1 |
| 05-031 | HAS8325 | Öl-Ablassschraube | Plug 4BN-06WD G3/8 | 1 |
| 05-032 | HPA8305 | Pumpenadapter 25mm | Pump joint | 1 |
| 05-033 | HAD8310 | Dichtung | Gasket | 1 |
| 05-034 | HBS6214 | Blindstopfen | Plug ZBJ22 007-QD07 | 4 |
| 05-035 | X | Schraube M8x85 | Screw M8X85- GB/T70.1 | 2 |
| 05-036 | HHD8330 | O-Ring | O-ring 13X1.9 | 1 |



| ITEM | ATH PART NO | Art. Beschreibung | Art. Description | QTY |
|--------|-------------|--|------------------------------------|-----|
| 06-001 | HHA6260 | Hydraulikaggregat kpl. | Hydraulic power unit | 1 |
| 06-002 | HHZ6132 | Hydraulikzylinder Haupthub | Master hydraulic cylinder | 1 |
| 06-003 | HHZ6133 | Hydraulikzylinder | Slave hydraulic cylinder | 1 |
| 06-004 | HHZ6132 | Hydraulikzylinder Haupthub | Master hydraulic cylinder | 1 |
| 06-005 | HHZ6133 | Hydraulikzylinder | Slave hydraulic cylinder | 1 |
| 06-006 | HHS6243 | Hydraulikschlauch L900 | Hydraulic hose L=900 | 2 |
| 06-007 | HHS6244 | Hydraulikschlauch L205 | Hydraulic hose L=205 | 2 |
| 06-008 | HHS6245 | Hydraulikschlauch L2870 | Hydraulic hose L=2870 | 1 |
| 06-009 | HHS6246 | Hydraulikschlauch L1300 | Hydraulic hose L=1300 | 2 |
| 06-010 | HHS6247 | Hydraulikschlauch L4200 | Hydraulic hose L=4200 | 1 |
| 06-011 | HHS6248 | Hydraulikschlauch L230 | Hydraulic hose L=230 | 2 |
| 06-012 | HHA8326 | 90° Hydraulikanschluss 1/4 (1BT9-04SP) | 90°union 1/4 1BT9-04SP | 2 |
| 06-013 | HZA8365 | 90° Anschluss 1B9-04SP | Union 90 degree union1B9-04SP | 6 |
| 06-014 | HHT8367 | T-Anschluss | Tee union D.10 | 1 |
| 06-015 | HHA8367 | Hydraulikanschluss | Rotation union 10-1/4 | 2 |
| 06-016 | HPS8367 | Rücklaufleitung | PU hose 10X6.5X2300C | 1 |
| 06-017 | HPS8367 | Rücklaufleitung | PU hose 10X6.5X900C | 1 |
| 06-018 | HPS8367 | Rücklaufleitung | PU hose 10X6.5X3000C | 1 |
| 06-019 | HUS8530 | U-Seal-Ring | Washer 1/4 | 4 |
| 06-020 | HZK8810 | Kolben | Piston | 1 |
| 06-021 | X | Zylinderschaft | Cylinder liner | 1 |
| 06-022 | HZD8691 | O-Ring | O-ring 24X2.4 | 2 |
| 06-023 | X | Kolbenstange | Piston Rod | 1 |
| 06-024 | HZD8701 | O-Ring 73X3.1 | O-ring 73X3.1 | 1 |
| 06-025 | HZD8503 | Führungsring 36x25x2.5 | Guide ring 36X25X2.5 | 2 |
| 06-026 | HZD8699 | Dichtung 36x46x8 | Seal 36X46X8 | 2 |
| 06-027 | HZV8710 | Zylinderdeckel | Cylinder guide cover | 1 |
| 06-028 | HZD8758 | Abstreifring 36x44x5 | Scraper 36X44X5/6.5 | 2 |
| 06-029 | HZD8892 | Dichtring 70x58x20.5 | Gasket 70X58X20.5 | 1 |
| 06-030 | HZD8702 | O-Ring 73X3.1 | O-ring 73X3.1 | 1 |
| 06-031 | X | Abstandhülse | Nylon washer | 1 |
| 06-032 | HDS6034 | Senkgeschwindigkeit Drossel | Flow restricting pin M6 | 1 |
| 06-033 | X | Dichtungsmutter M6 | Seal nut M6 | 1 |
| 06-034 | HVS8324 | Ventil für Senkgeschwindigkeit D 1.4 | Lowering speed control valve D.1.4 | 1 |
| 06-035 | HBS6214 | Blindstopfen QD07 | Plug QD07 | 1 |
| 06-036 | HZK8687 | Kolben | Piston | 1 |
| 06-037 | X | Zylinderschaft | Cylinder liner | 1 |
| 06-038 | X | Kolbenstange | Piston Rod | 1 |
| 06-039 | HZD8703 | O-Ring 73X3.1 | O-ring 63X3.1 | 1 |
| 06-040 | HZV8698 | Kopfplatte | Cylinder guide cover | 1 |

| | | | | |
|--------|------------|---------------------------|-------------------------|---|
| 06-041 | HSR2317.20 | Seegerring | Seeger D.20 - GB/T894.1 | 1 |
| 06-042 | HZD8722 | Kolbendichtung 60x48x20.5 | Gasket 60X48X20.5 | 1 |



www.ath-heinl.de

ATH-Heinl GmbH & Co. KG

Gewerbepark 9
D-92278 Illschwang
Germany

Tel.: +49 (0)9666 18801 00

Fax: +49 (0)9666 18801 01

info@ath-heinl.de

www.ath-heinl.de

