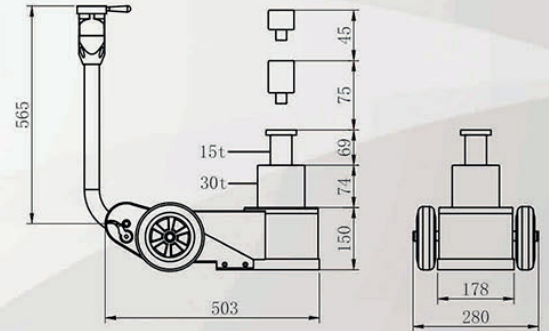
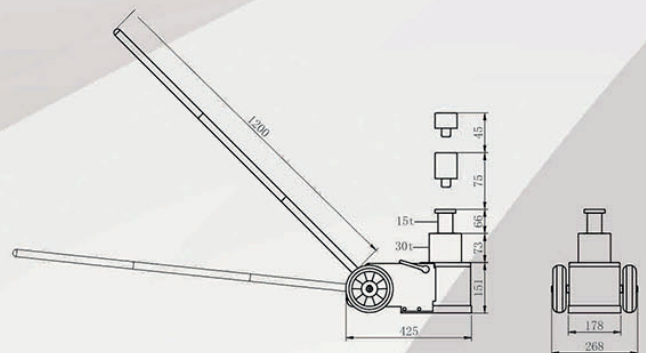


SP30-2**Features**

- Slow down valve
- Safety overload valve
- Oil anti-back system
- Hard chrome plated both internal & external cylinder
- XTP industry sealing(double sealing function)
- Imported sealing from USA
- Self-return switch for safe working
- Only 24kgs weight with 30T/15T capacity for portable service
- Ergonomic handle design with 4 positions for lifting, carrying, moving

S30-2ML

Model	Capacity	Net Weight	Packing Size	Working Air Pressure	Min Height	Max Height	Lifting Height	Extension Height
SP30-2	30T/15t	32kgs	70X29X27cm	0.9 ~1.2Mpa	150mm	413mm	30t:74mm 15t:69mm	75mm+45mm
S30-2ML	30T/15t	33kgs	70X29X27cm	0.9 ~1.2Mpa	151mm	410mm	30t:73mm 15t:66mm	75mm+45mm

Features

- Slow down valve
- Safety overload valve
- Oil anti-back system
- Hard chrome plated both internal & external cylinder
- XTP industry sealing(double sealing function)
- Imported sealing from USA
- Self-return switch for safe working