

TROLLEY JACK

KING SERIES

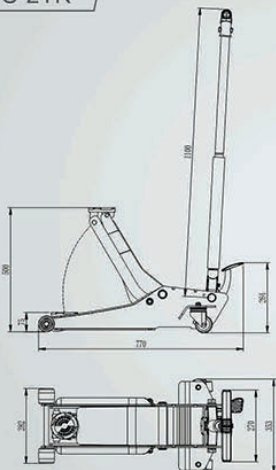
S-2TK

S-3TK

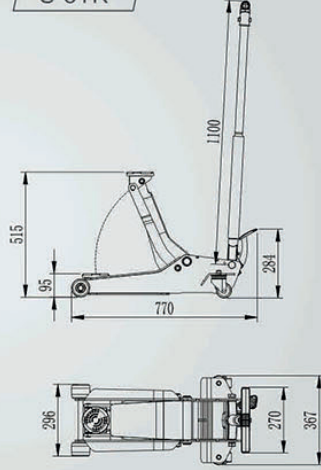


Model	Capacity	Min Height	Max Height	Weight	Packing Size
S-2TK	2000kgs	75mm	500mm	32.9kgs	86.4X40.4X23cm
S-3TK	3000kgs	95mm	515mm	39.5kgs	86.4X40.4X23cm

S-2TK



S-3TK



Features

- Hold to run(self-return handle)
- Designed handle
- Double pumps
- Lowering control system
- Sand blasting and wrinkle painting
- Designed spare parts tray
- Foot pedal with rubber pad for fast lifting
- Nylon wheels
- Hard chrome plated rod and special sealing construction of pump