

TROLLEY JACK

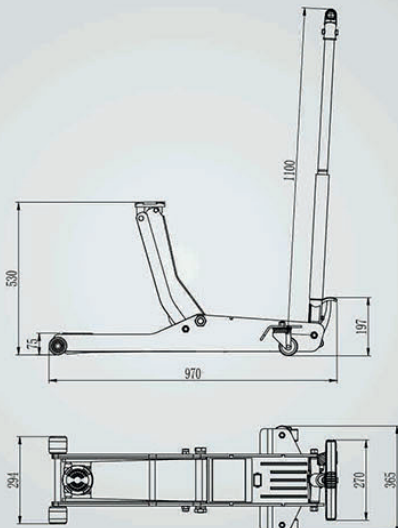
LOW PROFILE SERIES

S-2TEL



Model	Capacity	Min Height	Max Height	Weight	Packing Size
S-2TEL	2000kgs	75mm	530mm	42.2kgs	106.8×39.3×17.4cm

S-2TEL



Features

- Hold to run (self-return handle)
- Designed handle
- Lowering control system
- Sand blasting and wrinkle painting
- Designed spare parts tray
- Foot pedal with rubber pad for fast lifting
- Nylon wheels
- Hard chrome plated rod and special sealing construction of pump
- Fast Lifting (5 full stroke to max height)
- Low profile is for more type of vehicles
- Double pumps